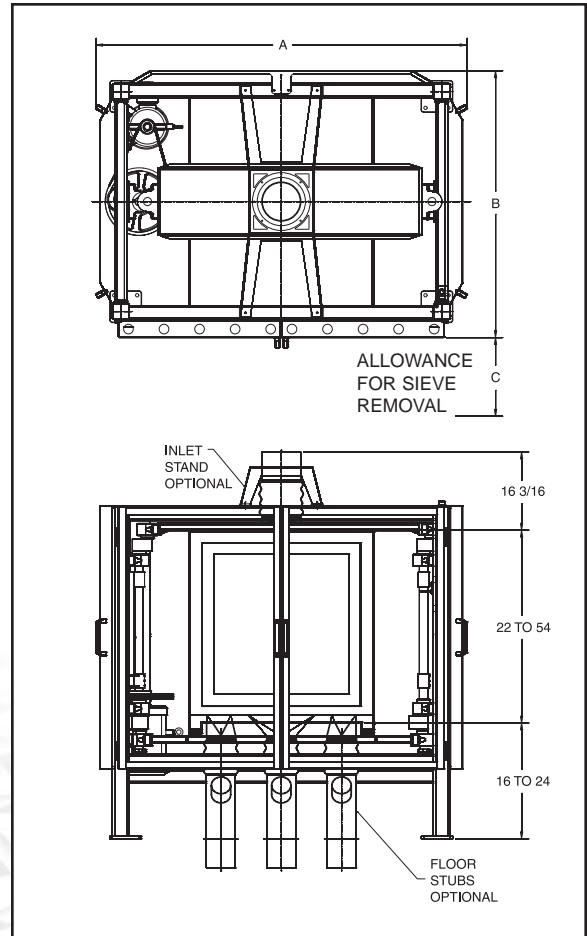
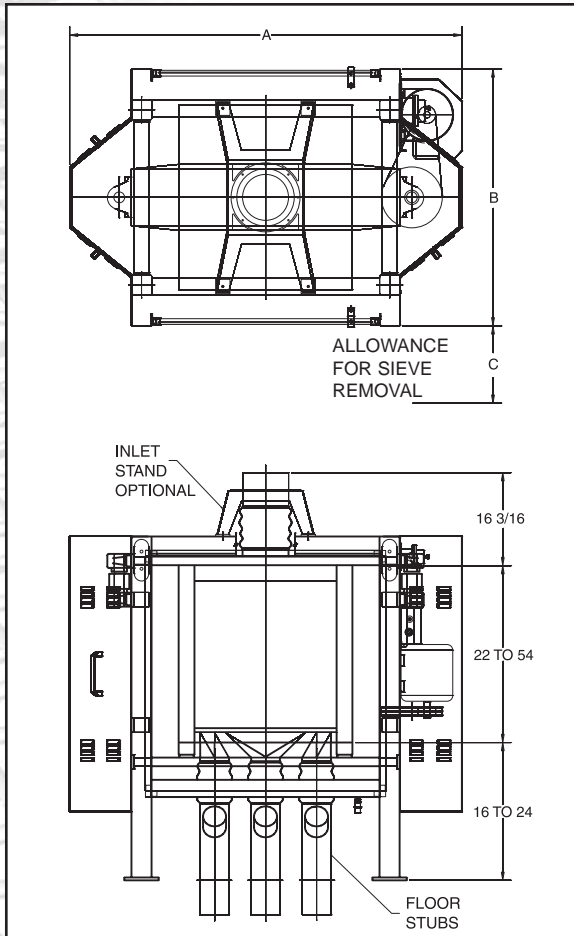


# Box Type Tru-Balance Dimensions



Series	100	200	300	400
Motor(s)	1 @ 1 HP	1 @ 1 1/2 HP	1 @ 1 1/2 HP	2 @ 1 1/2 HP
Sieve Size				
Circle				
A	68 1/4"	77"	77"	87 1/4"
B	44 3/4"	45 1/4"	55 1/2"	56"
C	24"	30"	40"	40 "

Typical arrangements illustrated with optional inlet support stand and optional discharge floor stubs. Custom arrangements are also available. Dimensions shown in inches (millimeters) are indicative and subject to change without notice. Contact Great Western for detailed installation drawings.

