

**MICRO SWITCH**  
a Honeywell Division  
FED. MFG. CODE 91929

SWITCH - ENCLOSED

CATALOG LISTING  
**BZE6-2RN-F3**

M BZE6-2RN-F3

DRAWING NUMBER

3

ISSUE

RELEASE NO. PR-19438

REPLACES

CHECK

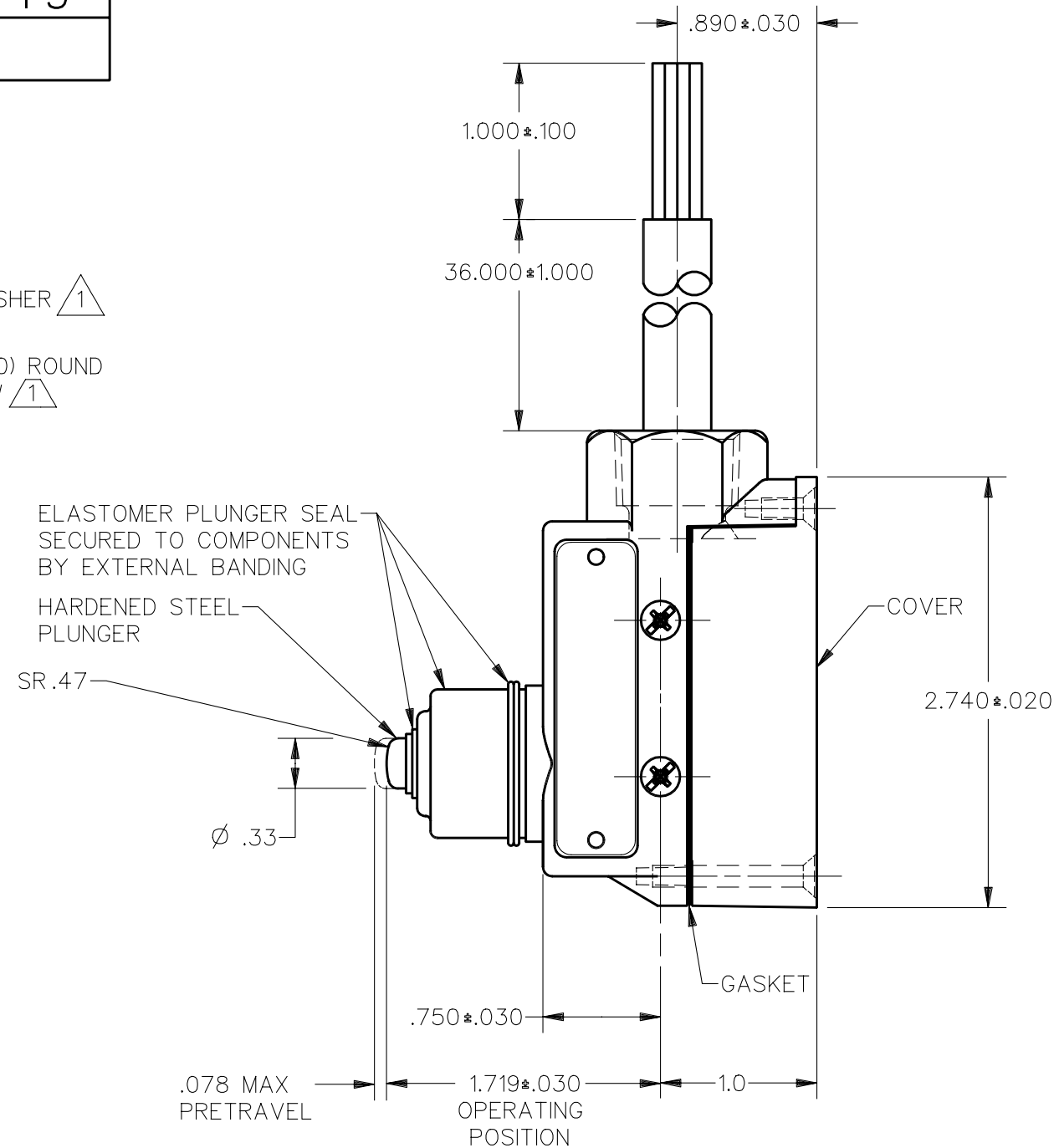
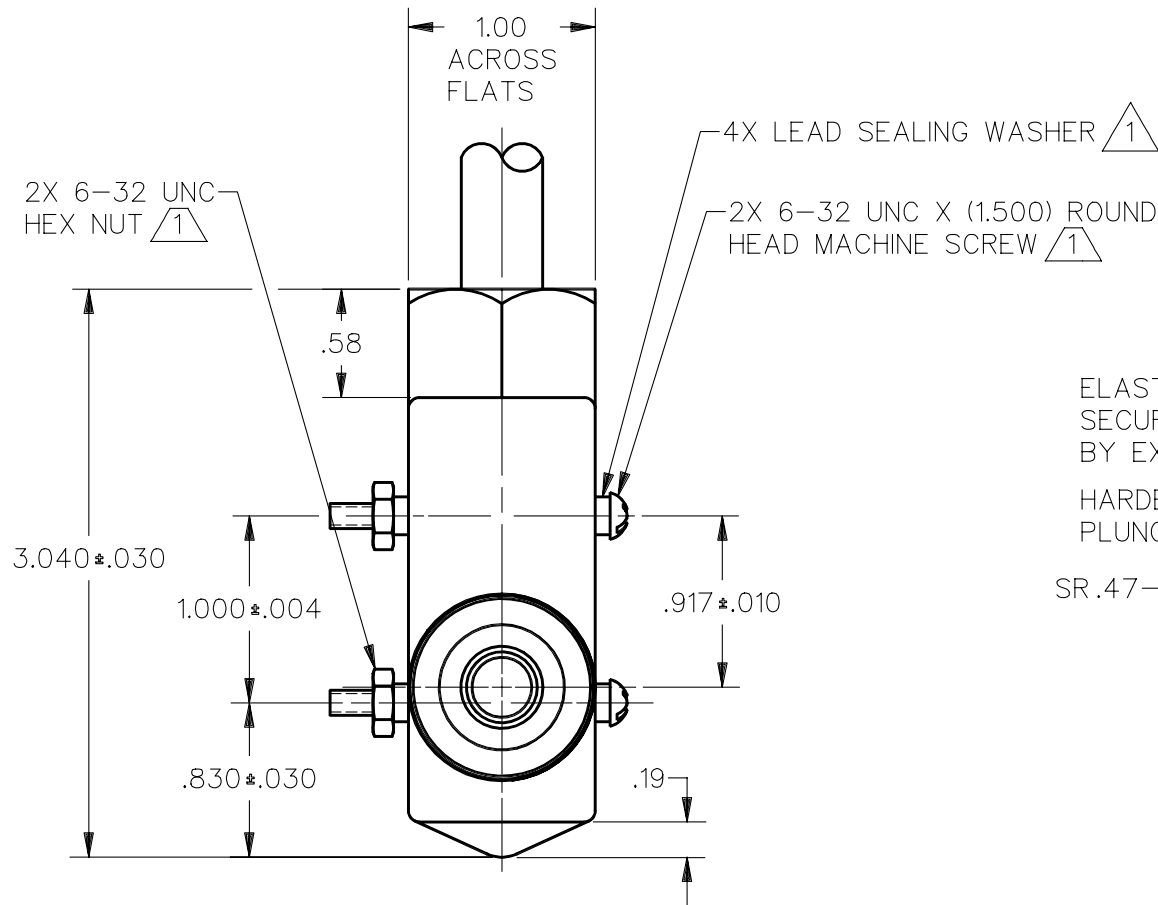
REVISIONS	
A	CO-73655 T.S.M. 22 APR 93
B	CO-75965 T.S.M. 19 AUG 93

CHECK

CHECK

DDM/CAD  
DRAWN

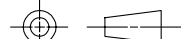
SAV 17 OCT 91



NOTE  
<sup>1</sup> FURNISHED UNASSEMBLED  
2 - SWITCH CAVITY FULLY POTTED

THIS DRAWING COVERS A PROPRIETARY ITEM AND IS THE PROPERTY OF MICRO SWITCH, A DIVISION OF HONEYWELL. THIS DRAWING IS NOT TO BE COPIED OR USED WITHOUT THE APPROVAL OF MICRO SWITCH

THIRD ANGLE PROJECTION



SCALE FULL

DO NOT SCALE PRINT

UNLESS OTHERWISE SPECIFIED TOLERANCES ARE

ONE PLACE	(.0)	±.030
TWO PLACE	(.00)	±.015
THREE PLACE	(.000)	±.005
ANGLES		±

WEIGHT

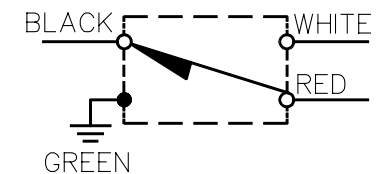
**CHARACTERISTICS**

OPERATING FORCE	15-39 OZ
RELEASE FORCE	10 OZ MIN
DIFFERENTIAL TRAVEL	.002 MAX
OVERTRAVEL	.219 MIN

**ELECTRICAL DATA**

CONTACT ARRANGEMENT  
S P D T

L270 10A 125, 250 OR 480 VAC  
2A 600 VAC  
1/8HP 125 VAC, 1/4HP 250 VAC  
1/2A 125 VDC, 1/4A 250 VDC



CIRCUIT DIAGRAM

ANSI Y14.5M-1982 APPLIES